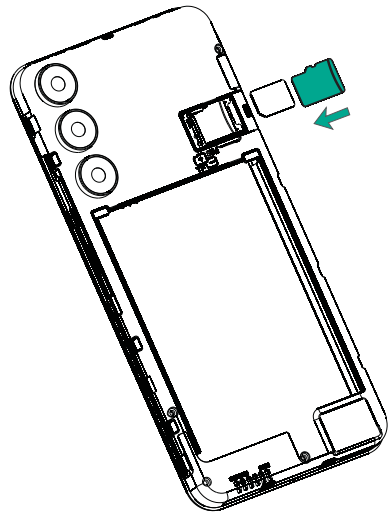




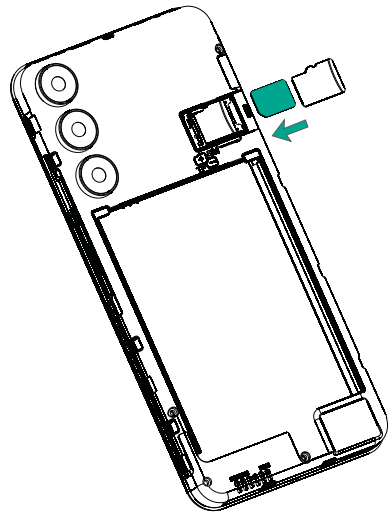
EN Remove battery cover

1



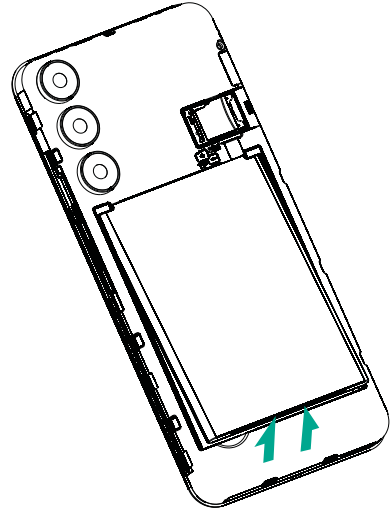
EN Insert memory card

2



EN Insert SIM card(s)

3



EN Insert battery

4



EN Insert USB cable and charge for 3 hours

5

that were developed by independent scientific organizations through periodic and thorough evaluation of scientific studies. The standards include a substantial safety margin designed to assure the safety of all persons regardless of age or health.

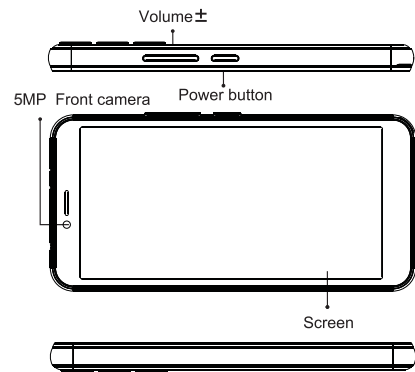
FCC RF Exposure Information and Statement

The SAR limit of USA (FCC) is 1.6 W/kg averaged over one gram of tissue. This device was tested for typical body-worn operations with the back of the device kept 10mm from the body. To maintain compliance with FCC RF exposure requirements, use accessories that maintain a appropriate separation

reception, which can be determined by turning the equipment off and on, the user is encouraged to try to correct the interference by one or more of the following measures:
 -Reorient or relocate the receiving antenna.
 -Increase the separation between the equipment and receiver.
 -Connect the equipment into an outlet on a circuit different from that to which the receiver is connected.
 -Consult the dealer or an experienced radio/TV technician for help. Absorption Rate (SAR) information: This device meets the government's requirements for exposure to radio waves. The guidelines are based on standards

VORTEX C24

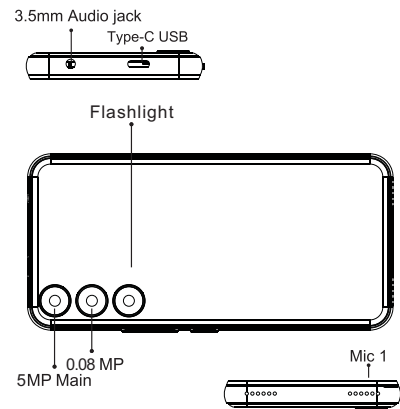
PRODUCT HEX-VISION IMAGE



VOLUME BUTTON: Short press to adjust the volume or to mute incoming calls.

6

PRODUCT HEX-VISION IMAGE



7

SPECIFICATIONS

BASIC INFORMATION

Model C24
 Operating System Powered by Android™ 14
 CPU 1.6Ghz Octa Core Processor UNISOC 9863
 RAM 3GB
 ROM 16GB
 Battery 2300mAh

Display

Screen Size 5.5" IPS SCREEN
 Resolution 480*960 Pixels
 Touch Capacitive multi-touch

Cameras

Front	Camera	5MP	Camera	Resolution
Rear	Camera	5MP	Camera	Resolution

Band GSM:850/900/1800/1900
 WCDMA:825/850
 LTE:B2/A5/12/13/25/26/41(HPU/E)66/71

SIM/TF card 1 Nano SIM Card and 1 TF Card
 WIFI IEEE802.11 a/b/g/n
 Bluetooth Bluetooth 4.2
 GNSS GPS

FM YES
 Earphone Port 3.5mm
 USB Port Type-C USB

Other Features

Video File Format 3GP/MPEG4, etc
 Audio File Format WAV/MP3/AAC/AMR/MIDI/APE/WMA, etc Card
 Extend Support TF card up to 64 GB
 Language Support Multi-language
 Sensor G-Sensor

In the box

1*Phone
 1*USB-C Cable
 1*Power Adapter
 1*Quick Start Guide
 1*Protective case
 1*Battery

8

Safety Statement

Pour un fonctionnement porté sur le corps, ce modèle de téléphone a été testé et répond aux directives d'exposition RF FCC/ISED lorsque'il est utilisé avec un accessoire conçu pour ce produit ou lorsqu'il est utilisé avec un accessoire qui ne contient pas de métal et qui positionne le combiné à au moins 10 mm du corps. Le non-respect des restrictions ci-dessus peut entraîner une violation des directives d'exposition aux RF.

For body-worn operation, this device has been tested and meets the FCC/ISED RF exposure guidelines when used with a leather case. The users must use this leather case. Use of other leather case may not ensure compliance with FCC/ISED RF exposure guidelines.

Pour un fonctionnement porté sur le corps, cet appareil a été testé et répond aux directives d'exposition RF FCC/ISED lorsque'il est utilisé avec un étui en cuir. Les utilisateurs doivent utiliser cet étui en cuir. L'utilisation d'un autre étui en cuir peut ne pas garantir la conformité aux directives d'exposition aux RF de la FCC/ISED.



BE	BG	CZ	DK	DE	EE	IE	EL
ES	FR	HR	IT	CY	LV	LT	LU
HU	MT	NL	AT	PL	PT	RO	SI
SK	FI	SE	NO	IS	LI	CH	TR

In all EU member states, operation of 5150-5250 MHz is restricted to indoor use only.

Made in China

VORTEX

VORTEX C24